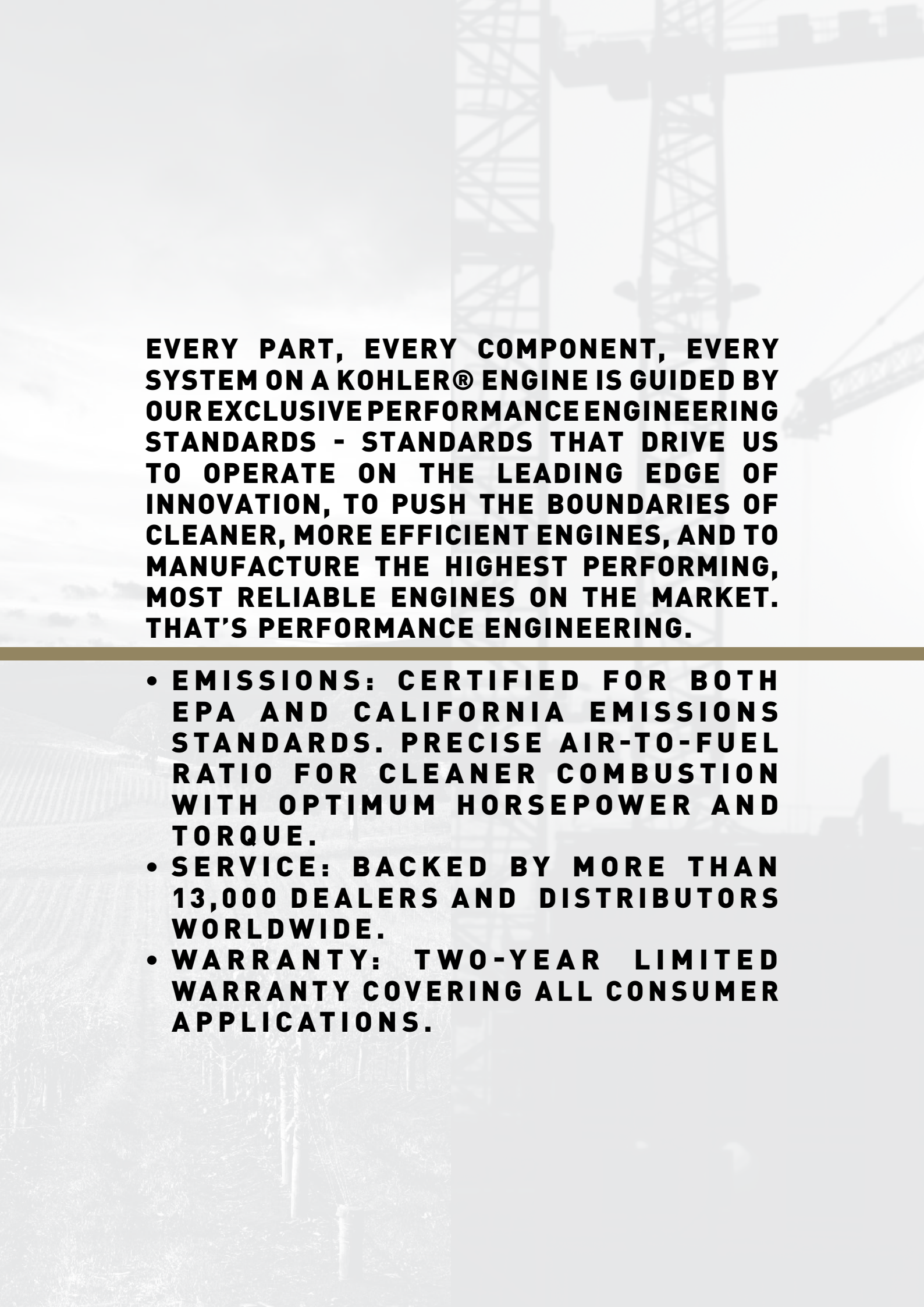


KOHLER® 3000 series

6.5 Hp



KOHLER®



EVERY PART, EVERY COMPONENT, EVERY SYSTEM ON A KOHLER® ENGINE IS GUIDED BY OUR EXCLUSIVE PERFORMANCE ENGINEERING STANDARDS - STANDARDS THAT DRIVE US TO OPERATE ON THE LEADING EDGE OF INNOVATION, TO PUSH THE BOUNDARIES OF CLEANER, MORE EFFICIENT ENGINES, AND TO MANUFACTURE THE HIGHEST PERFORMING, MOST RELIABLE ENGINES ON THE MARKET. THAT'S PERFORMANCE ENGINEERING.

- **EMISSIONS: CERTIFIED FOR BOTH EPA AND CALIFORNIA EMISSIONS STANDARDS. PRECISE AIR-TO-FUEL RATIO FOR CLEANER COMBUSTION WITH OPTIMUM HORSEPOWER AND TORQUE.**
- **SERVICE: BACKED BY MORE THAN 13,000 DEALERS AND DISTRIBUTORS WORLDWIDE.**
- **WARRANTY: TWO-YEAR LIMITED WARRANTY COVERING ALL CONSUMER APPLICATIONS.**

Designed specifically for consumer applications, the Courage® family of engines feature steel-forged crankshafts, advanced ignition systems and provide greater displacement for greater power. You'll also get dual ball bearings for easy starts, reduced noise, vibration, emissions and better fuel efficiency.



PROFESSIONAL GRADE FEATURES FOR THE CONSUMER.

Overhead valve for better fuel efficiency and cleaner emissions, cast iron cylinder bore and steel forged crankshaft provide added protection under load, extending the engine life.



SUPERIOR STARTABILITY.

The large indexable recoil starter and dual ball bearings make starting the engine nearly effortless.

INNOVATIONS



EASY TO USE AND MAINTAIN.

No matter the application, the dual oil fills and drains provide the user accessibility to fill and drain the oil from either side of the engine. Along with the large metal fuel tank, easy access controls and no tools required air cleaner, this engine top's the easy-to-use category.

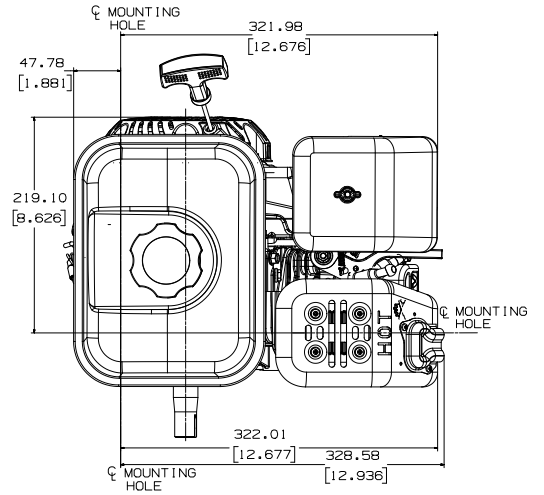
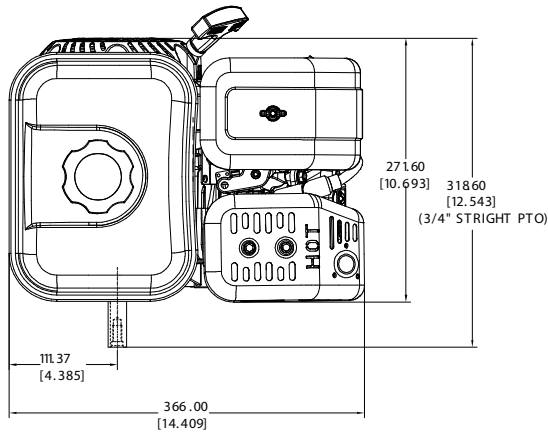


DESIGNED FOR DEPENDABILITY.

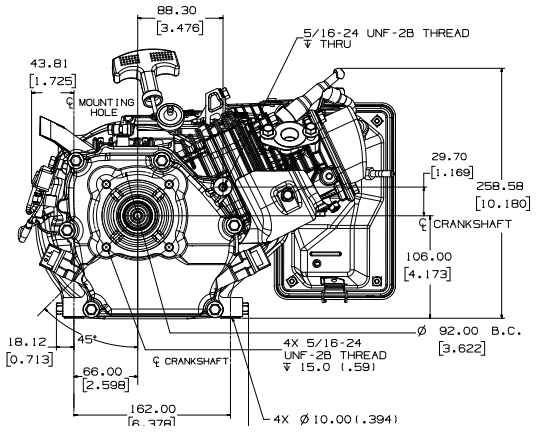
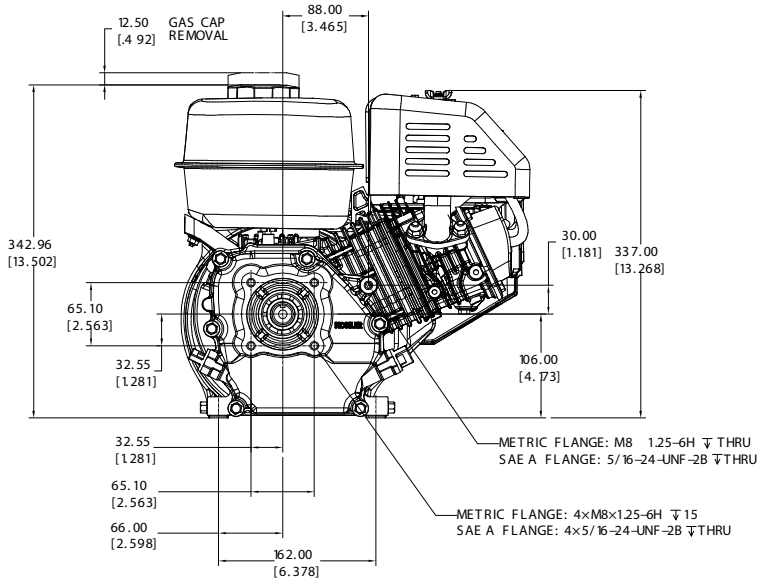
Standard features like our Oil Sentry™ low-oil protection system and dual fuel filters – in both the fill neck and in the tank – enhance the lifespan of the engine.

6.5 hp engines (SH265)

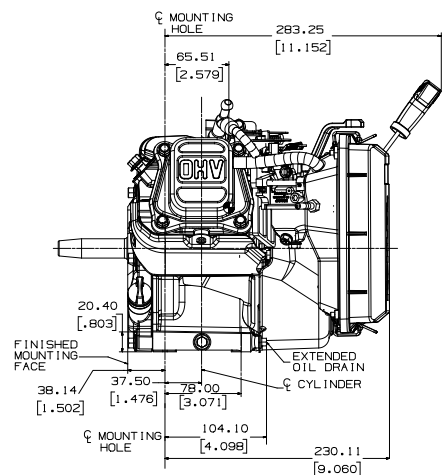
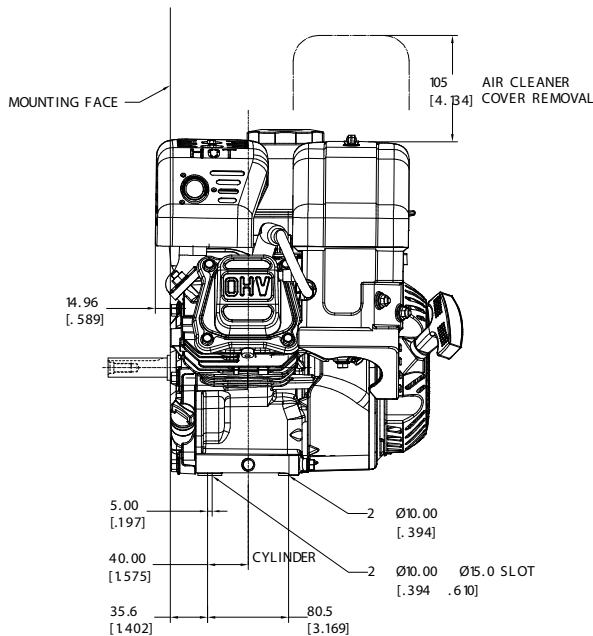
TOP VIEW ▼



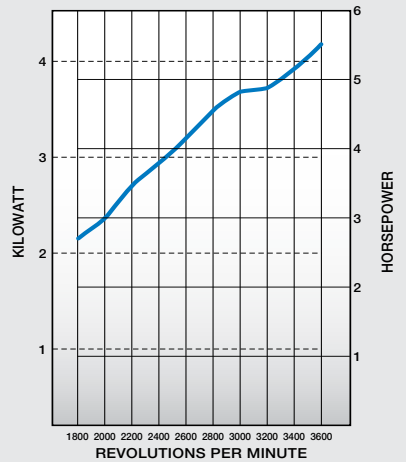
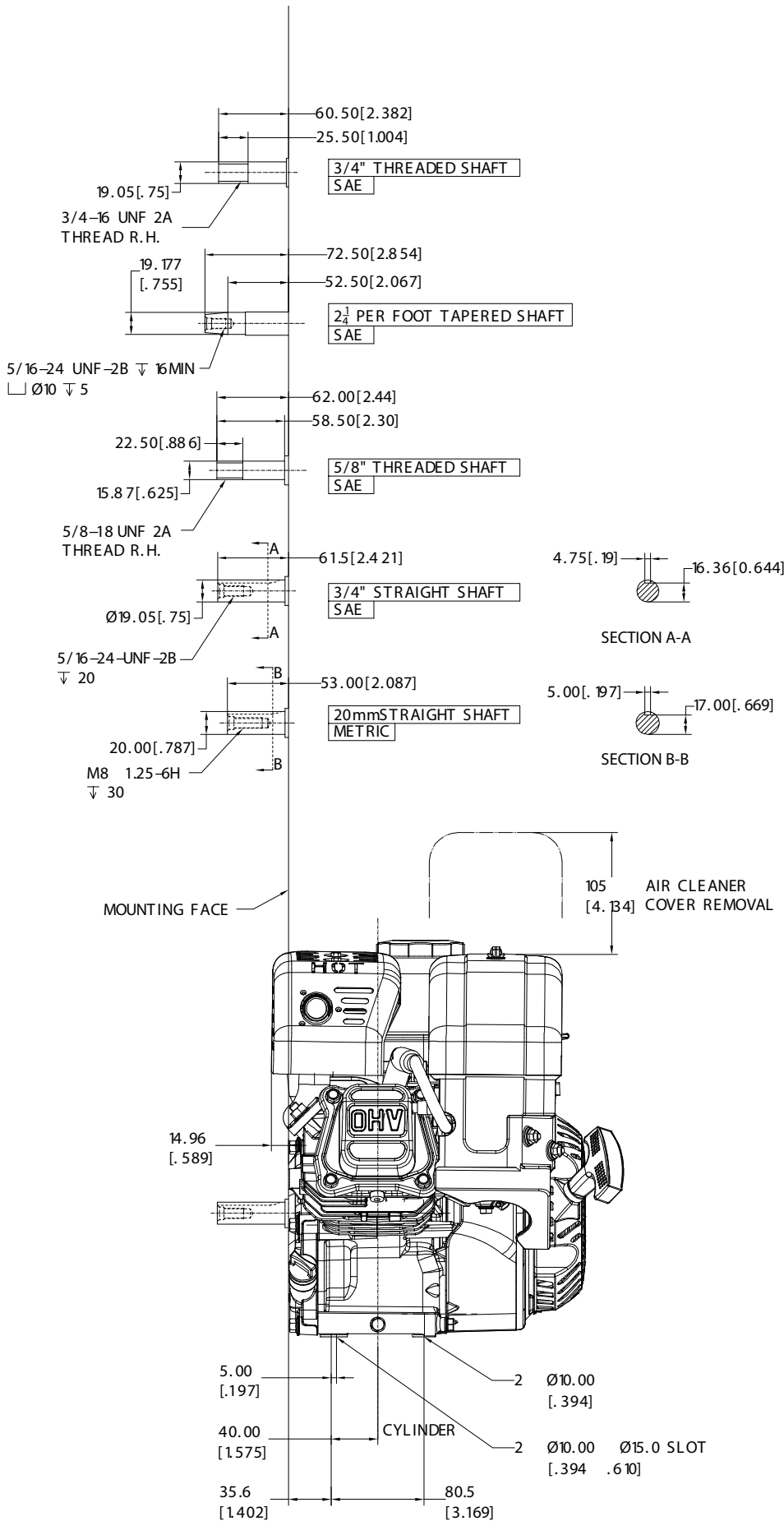
PTO VIEW ▼



VALVE COVER VIEW ▼

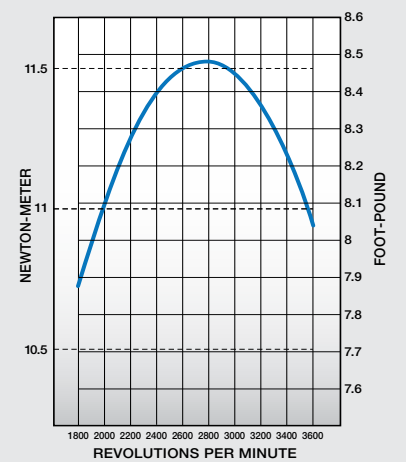


6.5 hp engines (SH265)



Net Power

SHAFT VARIATIONS



Net Torque

3000 SERIES



STANDARD EQUIPMENT

- OHV slant cylinder
- Cast iron cylinder liner
- Large capacity metal fuel tank
- Metal fuel cap
- In-neck fuel debris screen
- Water trap in carburetor
- Electronic ignition
- Quiet muffler with heat shield
- EPA and European emission certified
- Easy access throttle, choke and fuel shut-off
- Automatic compression release
- Mechanical governor

- Sound-deadening alloy crankcase
- Dual ball bearings
- Steel forged and hardened crankshaft
- Carburetor bowl drain
- Dual oil fills and drains
- Oil Sentry™ - automatic low oil shutdown system
- Dual-element air cleaner
- High inertia flywheel
- Silenced air intake
- Indexable easy-pull recoil starter

ACCESSORIES ON DEMAND

- 12-volt starter
- Exhaust deflector
- Spark arrestor
- 3- and 10-amp
- Crankshaft/PTO variations (Keyed, Tapered, Threaded)
- Remote throttle
- EMC/RFI Compliant
- Low-profile air cleaner and muffler (Generator)
- Carb Tier III compliant
- EU emission and noise compliant

3000 SERIES

6.5 HP



Model		SH265
Engine specs	Four-cycle	•
	Single-cylinder	•
	Slant cylinder	•
	Overhead valve	•
	Air-cooled	•
	Gasoline	•
	Horizontal-shaft	•
	Aluminum head	•
	Crankcase with cast-iron cylinder liner	•
Lubrication	Splash	
Technical features	Displacement cu in (cc)	12 (196)
	Bore in (mm)	2.7 (68)
	Stroke in (mm)	2.1 (54)
	Compression Ratio	8.5:1
Performance	*Gross Power @ 3000 rpm Maximum hp (kW)	5.8 (4.3)
	*Gross Power @ 3600 rpm Maximum hp (kW)	6.5 (4.8)
	Peak Torque @ rpm ft lbs (Nm)	10.2 (13.8) @ 3000 rpm
Physical characteristics	Dry Weight (Recoil Start) lbs (kg)	35.3 (16)
	Oil Capacity U.S. qt (L)	0.63 (.6)
	Fuel Capacity U.S. qt (L)	3.8 (3.6)
	**Dimensions L x W x H in (mm)	12.3 x 14.3 x 13.5 (313 x 363 x 342)

* Horsepower ratings exceed Society of Automotive Engineers Small Engine Test Code J1940. Actual engine horsepower is lower and affected by, but not limited to, accessories (air cleaner, exhaust, charging, cooling, fuel pump, etc.), application, engine speed and ambient operating conditions (temperature, humidity and altitude). For more information, contact Lombardini s.r.l.

Kohler reserves the right to change product specifications, designs and equipment without notice and without incurring obligation.

** Measurements based off a base engine without electric start.

KOHLER®

Lombardini s.r.l. is a part of Kohler Group.
Lombardini has manufacturing facilities in Italy, Slovakia
and India and sales subsidiaries in France, Germany, UK,
Spain and Singapore.

Kohler/Lombardini reserves the right to make
modifications without prior notice.

www.lombardini.it

EUROPE

Lombardini Srl
Via Cav. del lavoro
A. Lombardini n° 2
42124 Reggio Emilia, ITALY
T. +39-(0)522-389-1
F. +39-(0)522-389-503

DEUTSCHLAND

Lombardini Motoren GmbH
Silostr. 41,
65929 FRANKFURT
Hessen, DEUTSCHLAND
T. +49-(0)69-9508160
F. +49-(0)69-5073410

UK

Lombardini U.K. Ltd
1, Rochester Barn - Eynsham Road
OX2 9NH
Oxford, UK
T. +44-(0)1865-863858
F. +44-(0)1865-861754

ESPAÑA

Lombardini ESPAÑA, S.L.
P.I. Cova Solera 1-9
08191 - Rubí (Barcelona)
ESPAÑA
T. +34-(0)9358-62111
F. +34-(0)9369-71613

FRANCE

Lombardini France S.a.s.
47 Allée de Riottier,
69400 Limas, FRANCE
T. +33-(0)474-626500
F. +33-(0)474-623945

ROAPAC

Lombardini Singapore
26 Keong Saik Road (3rd floor)
Asia Pacific Represent. Offices
089154- Singapore
T. +65-(0)622-50556
F. +65-(0)622-50551