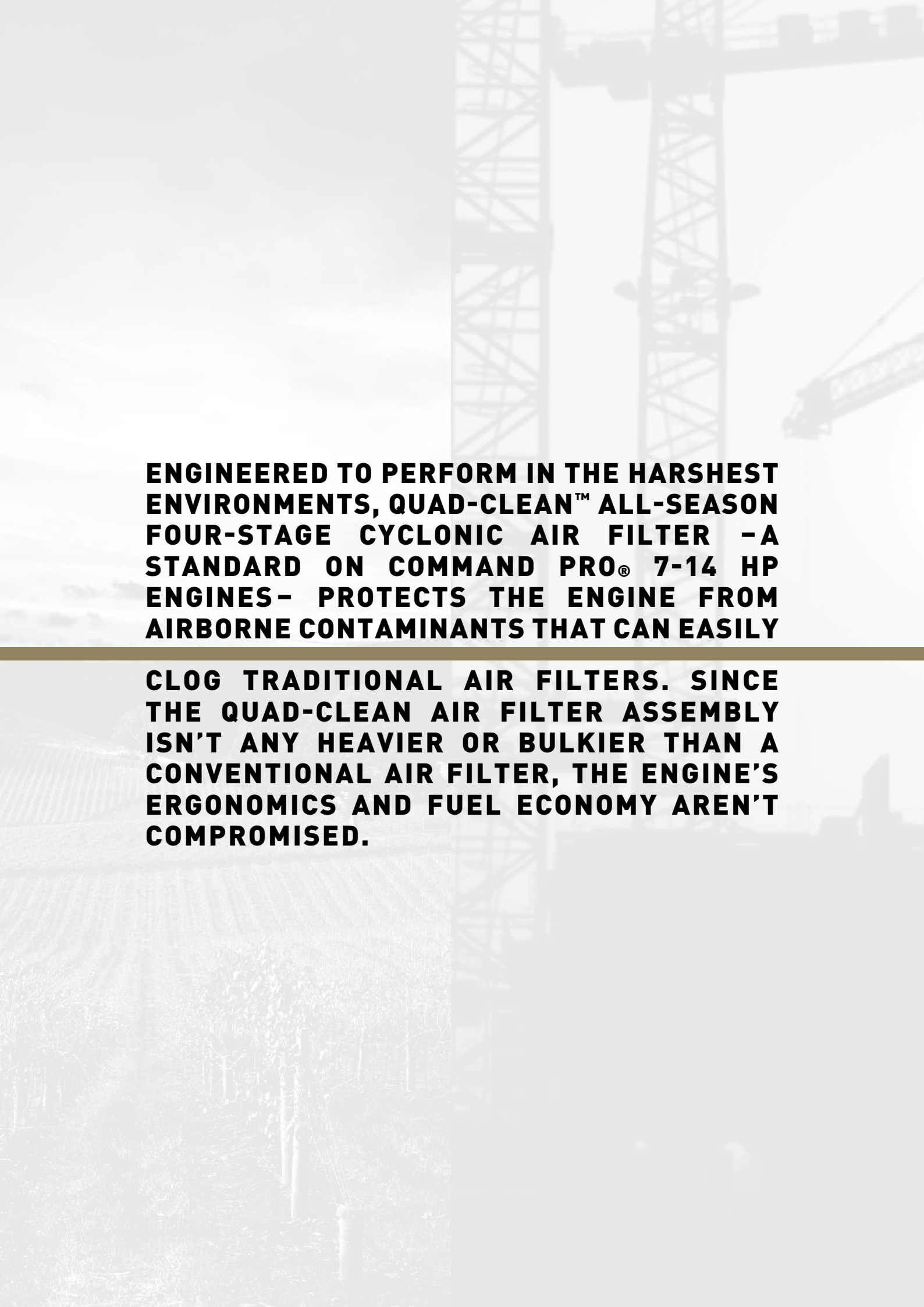


KOHLER® Command PRO

7-14 Hp

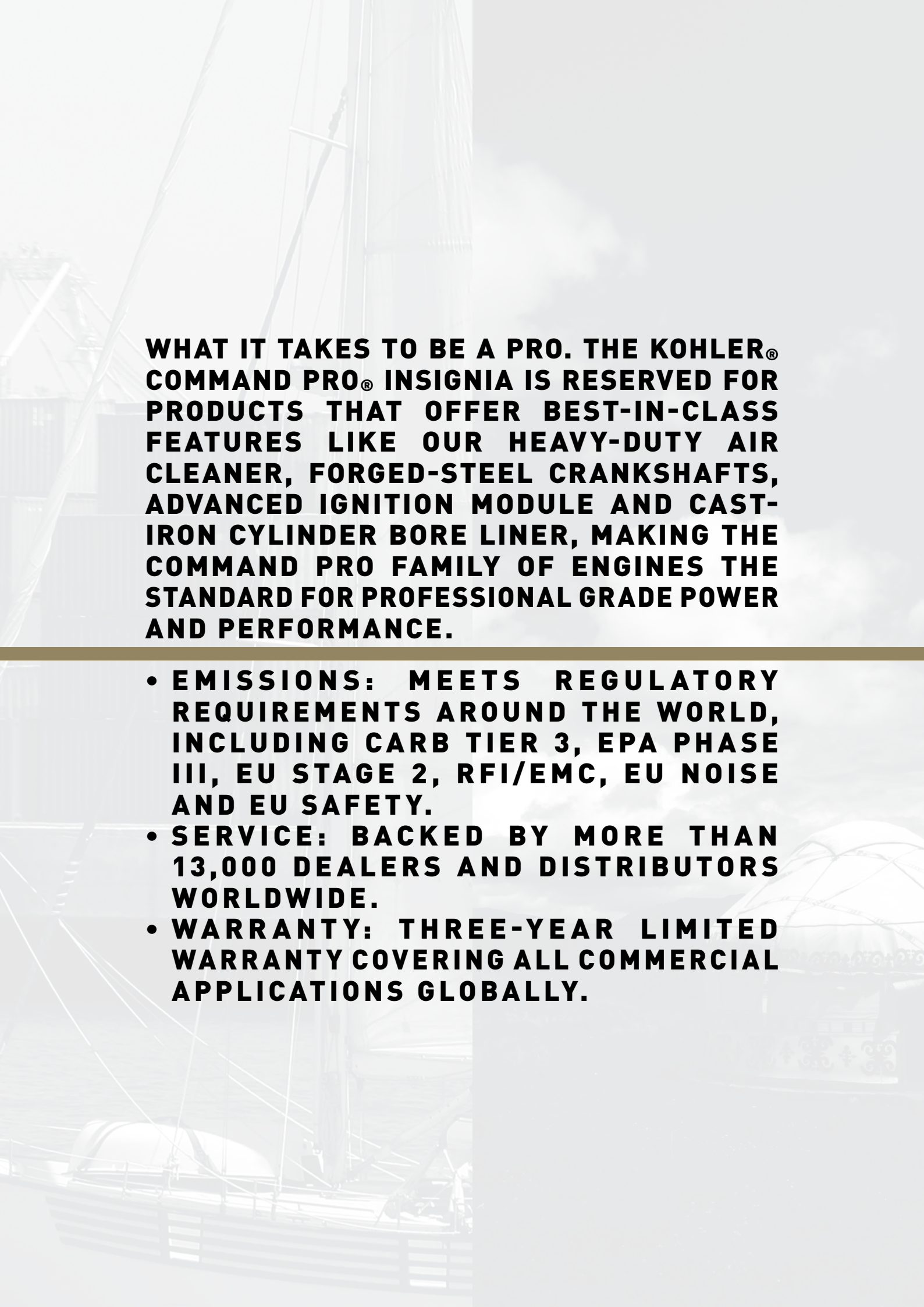


KOHLER®

The background of the advertisement is a faded, grayscale image of a construction site. In the upper right, several tall lattice-boom cranes are visible against a light sky. In the lower left, there is a large, rectangular structure covered with a dark, textured material, possibly a construction site or a field of crops. The overall scene is hazy and serves as a backdrop for the text.

ENGINEERED TO PERFORM IN THE HARSHTEST ENVIRONMENTS, QUAD-CLEAN™ ALL-SEASON FOUR-STAGE CYCLONIC AIR FILTER - A STANDARD ON COMMAND PRO® 7-14 HP ENGINES- PROTECTS THE ENGINE FROM AIRBORNE CONTAMINANTS THAT CAN EASILY

CLOG TRADITIONAL AIR FILTERS. SINCE THE QUAD-CLEAN AIR FILTER ASSEMBLY ISN'T ANY HEAVIER OR BULKIER THAN A CONVENTIONAL AIR FILTER, THE ENGINE'S ERGONOMICS AND FUEL ECONOMY AREN'T COMPROMISED.



**WHAT IT TAKES TO BE A PRO. THE KOHLER®
COMMAND PRO® INSIGNIA IS RESERVED FOR
PRODUCTS THAT OFFER BEST-IN-CLASS
FEATURES LIKE OUR HEAVY-DUTY AIR
CLEANER, FORGED-STEEL CRANKSHAFTS,
ADVANCED IGNITION MODULE AND CAST-
IRON CYLINDER BORE LINER, MAKING THE
COMMAND PRO FAMILY OF ENGINES THE
STANDARD FOR PROFESSIONAL GRADE POWER
AND PERFORMANCE.**

- **EMISSIONS: MEETS REGULATORY REQUIREMENTS AROUND THE WORLD, INCLUDING CARB TIER 3, EPA PHASE III, EU STAGE 2, RFI/EMC, EU NOISE AND EU SAFETY.**
- **SERVICE: BACKED BY MORE THAN 13,000 DEALERS AND DISTRIBUTORS WORLDWIDE.**
- **WARRANTY: THREE-YEAR LIMITED WARRANTY COVERING ALL COMMERCIAL APPLICATIONS GLOBALLY.**



INDUSTRY STANDARD DIMENSIONS AND INTERCHANGABILITY
Provides flexibility to power any new equipment or repower existing equipment without modifications.



DEPENDABLE ALL-SEASON OPERATION
In colder months the Quad-Clean™ air filter can be reconfigured, without tools and in a matter of seconds, to recycle engine heat. Along with advanced electronic ignition, automatic compression release and dual ball bearings, the Command PRO® engine provides effortless starts in all weather and conditions.



DESIGNED FOR QUIET OPERATION
A fully integrated system, including a silenced air intake, sound-deadening muffler and alloy crankcase, creates a smoother, quieter performance.

INNOVATIONS



ENGINEERED FOR ENHANCED DURABILITY.
KOHLER® Command PRO® engines feature forged-steel crankshafts, cast-iron cylinder bores, tough Stellite®-faced exhaust valves with Tuffride®-coated stems and dual main ball bearings for maximum side-load characteristics. Oil Sentry™ protects engine in low oil conditions by automatically shutting the engine down.



EFFICIENT IGNITION AND FUEL SYSTEM.
The KOHLER advanced ignition system reduces fuel consumption, while the large-capacity fuel tank allows for longer runs between fill-ups. Combined, these two features will save you money and time.



HOW DOES QUAD-CLEAN™ WORK?

- 1 The mesh screen at the air intake port provides first step of protection.
- 2 As air enters the air-cleaning chamber, it is circulated in a rapid, cyclonic motion that forces the large contaminants out of the engine.
- 3 The reusable, environmentally friendly foam pre-cleaner traps midsize contaminants.
- 4 Dual-metal mesh enforced, the pleated air filter traps the finest contaminants ensuring that only clean air enters the engine for maximum power and life of the engine.



INNOVATIONS FOR AGRICULTURE

Agricultural applications have specific needs, to which the new Command Pro 7-14 can answer thanks to a specific configuration featuring:

- Remote throttle controls, to grant the best integration of Command Pro on your machines
- European 23.0 mm tapered crankshaft and EU 6 holed flange, specifically developed for European agricultural applications
- Oil bath filter, the most reliable solution for dusty environments, granting both a better protection from impurities and the easiest maintenance operations possible.

Command PRO small engine family is the best engine to be used on small agricultural applications.

These engine specifications enable Command Pro 7-14 series to run smoothly also on uneven terrain and dusty environment, typical of the Agricultural world

Alternatively the same configuration is available with the standard straight shaft with SAE flange and with Quad Clean™ air cleaner.

COMMAND PRO 7-14 HP

STANDARD EQUIPMENT

- Quad-Clean™ heavy-duty cyclonic air cleaner
- Built-in warm-air system for operating in cold weather
- OHV slant cylinder
- Cast-iron cylinder liner
- Large-capacity metal fuel tank
- Three fuel filters: fill neck, in-tank and carburetor inlet
- Electronic ignition
- Large-capacity muffler with heat shield and spark arrestor
- EPA II emission-certified
- Increased displacement
- Balance shaft (14 hp)
- Dual ball bearings
- Steel forged crankshaft
- Dual oil fills and drains
- Automatic low-oil engine shutdown system
- Stellite®-faced exhaust valve
- Chrome-plated metal fuel tank cap
- Water trap to separate moisture in fuel
- Swirl-induction combustion chamber
- Easy-access throttle, choke and shutoff
- Automatic compression release
- Mechanical governor
- Sound-deadening alloy crankcase
- Carburetor bowl drain
- High-inertial flywheel
- Silenced air intake
- Indexable easy-pull recoil starter

ACCESSORIES ON DEMAND

- 2:1 reduction
- 12-volt starter
- 3-, 10- or 18-amp (9.5- and 14-hp) charging
- Crankshaft/PTO variations
- Low-profile air cleaner and muffler (generator)
- No load idle solenoid for welders
- CARB Tier 3 compliance
- EEC and Canadian RFI Standards
- EU emissions and noise compliance
- EPA Phase III compliance
- Balance shaft 9.5 hp
- Exhaust deflector
- In-line fuel filter
- Remote throttle
- Remote choke





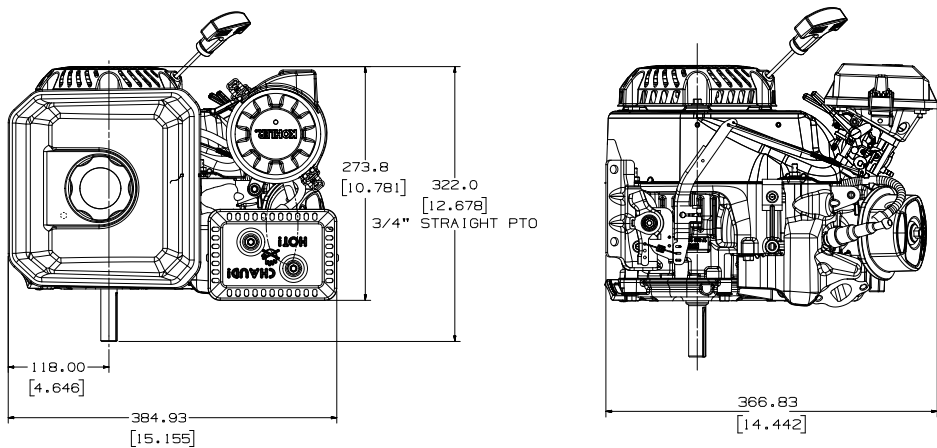
KOHLER.
Command PRO
14 HP
429cc
KohlerEngines.com
CH440

KOHLER.
QUAD-CLEAN.
FOUR-STAGE CYCLONIC AIR FILTRATION

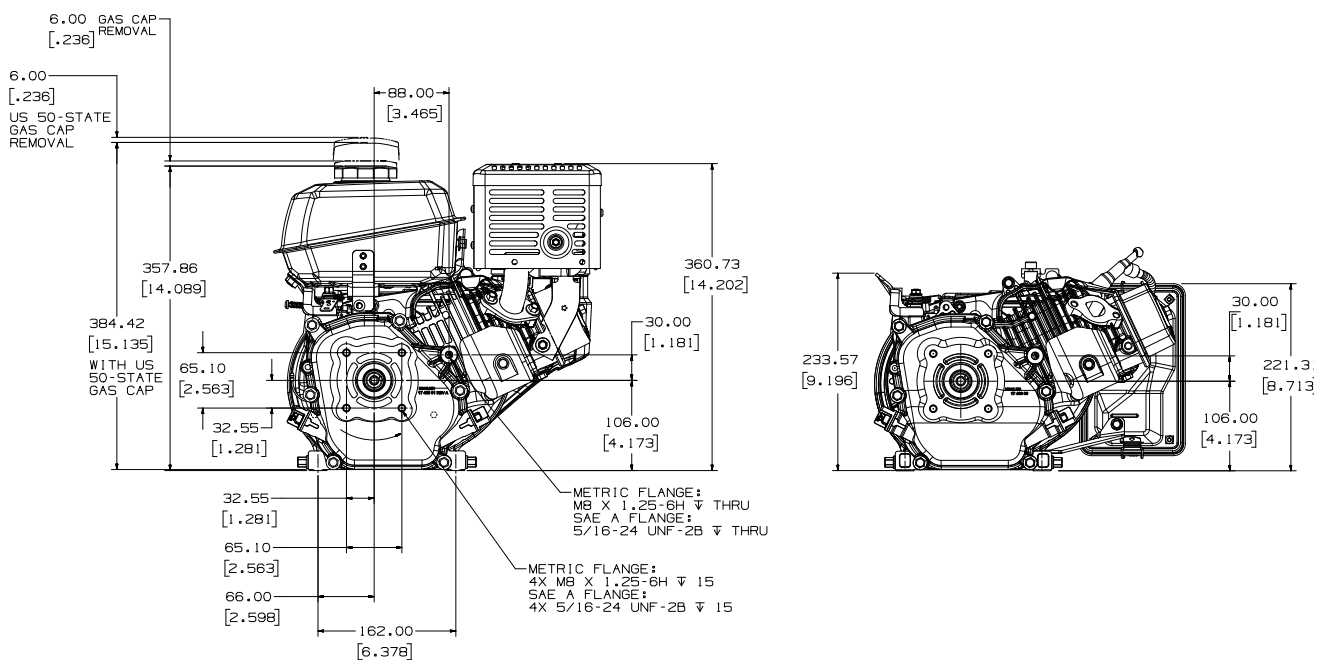
KOHLER.

7-hp engines (CH270)

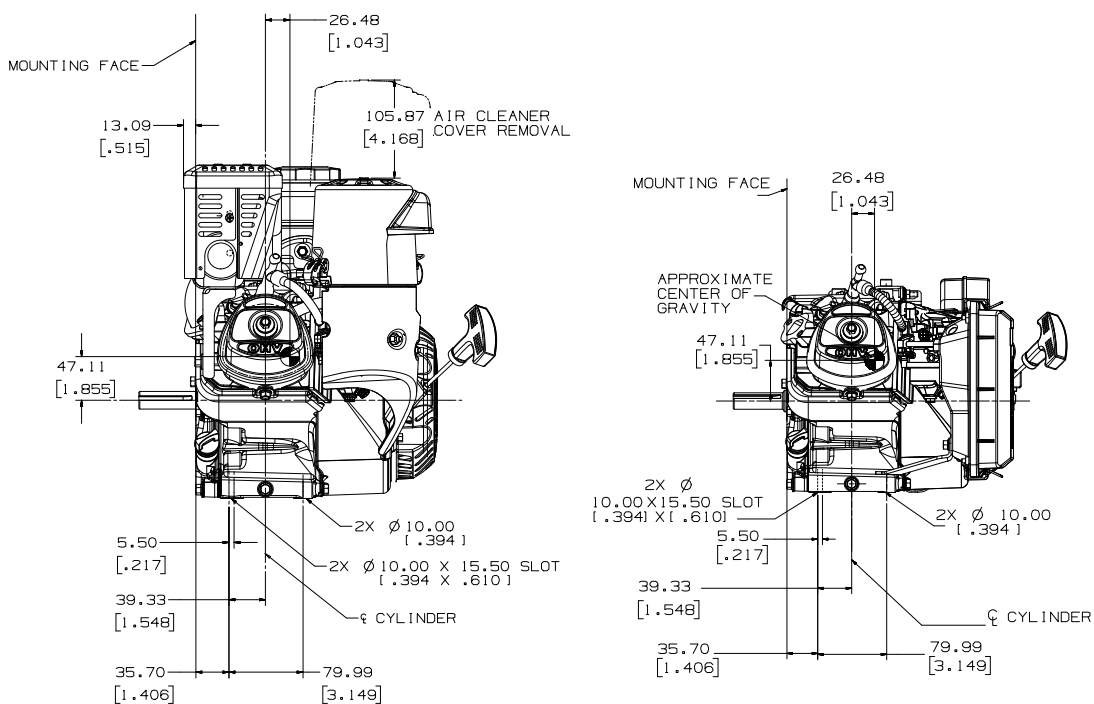
TOP VIEW



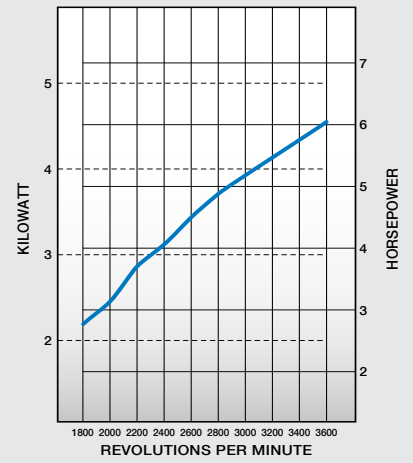
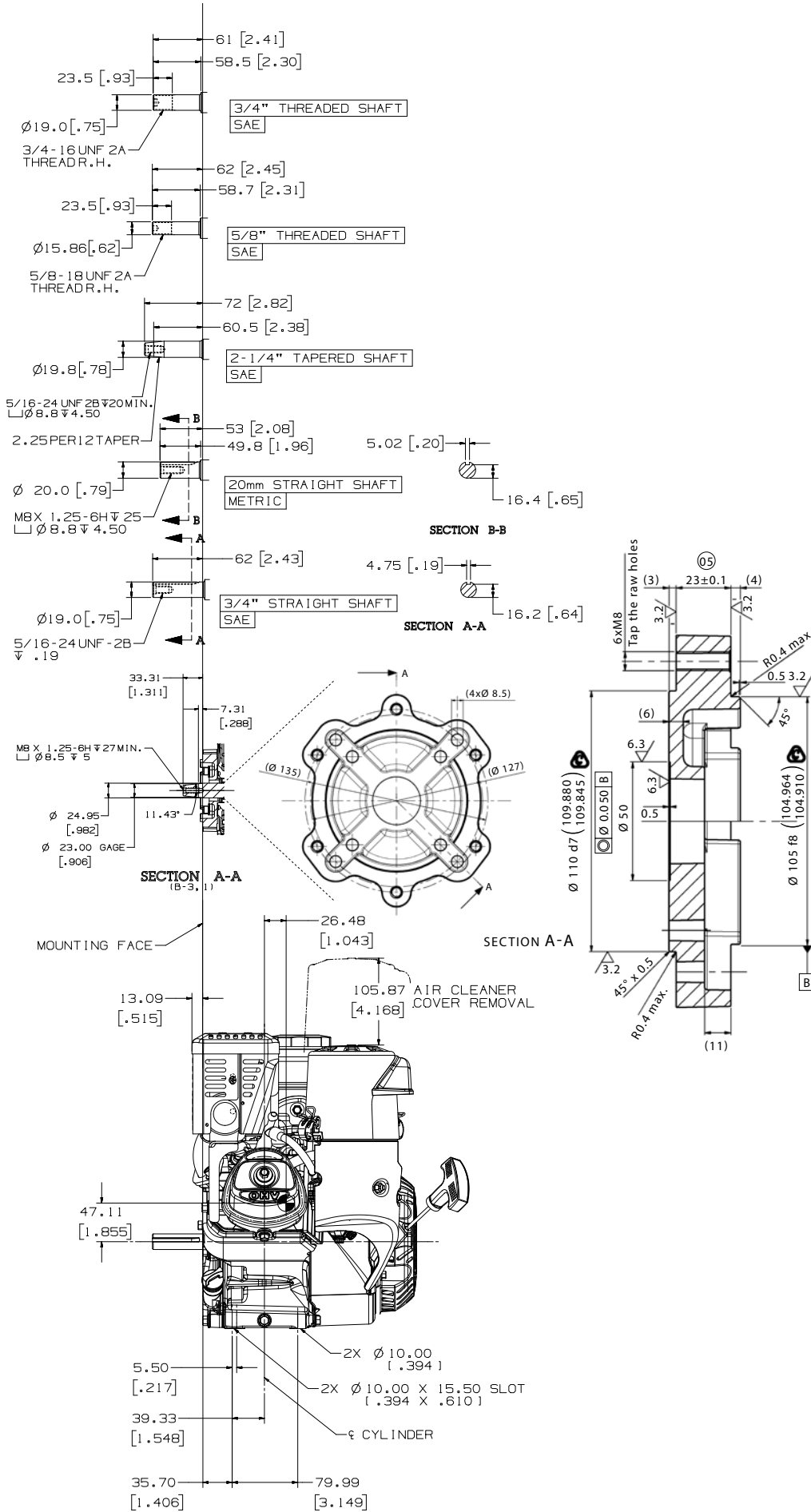
PTO VIEW



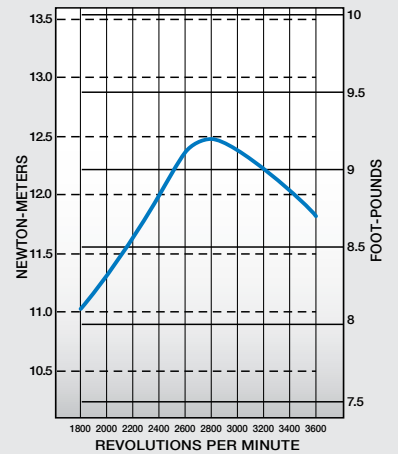
VALVE COVER VIEW



7-hp engines (CH270)

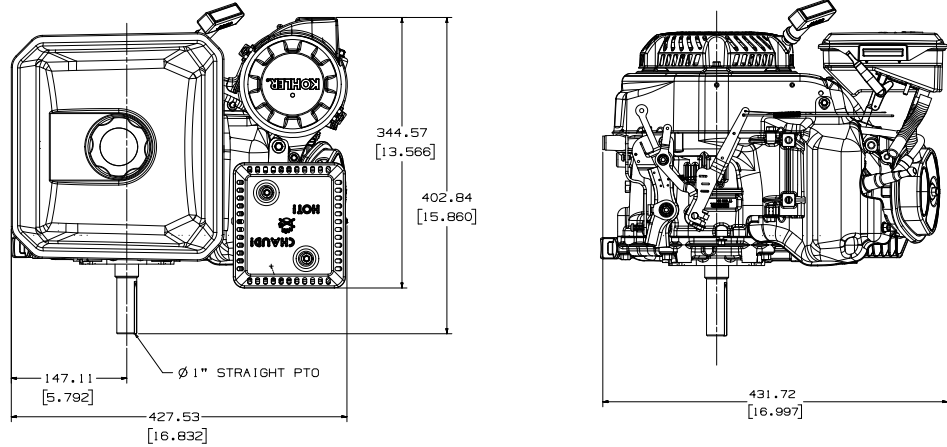


SHAFT VARIATIONS

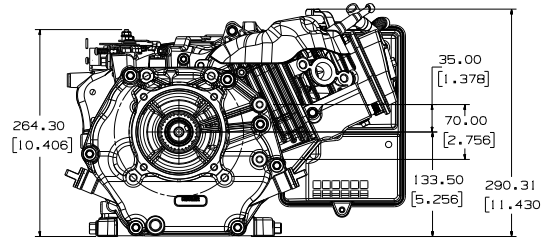
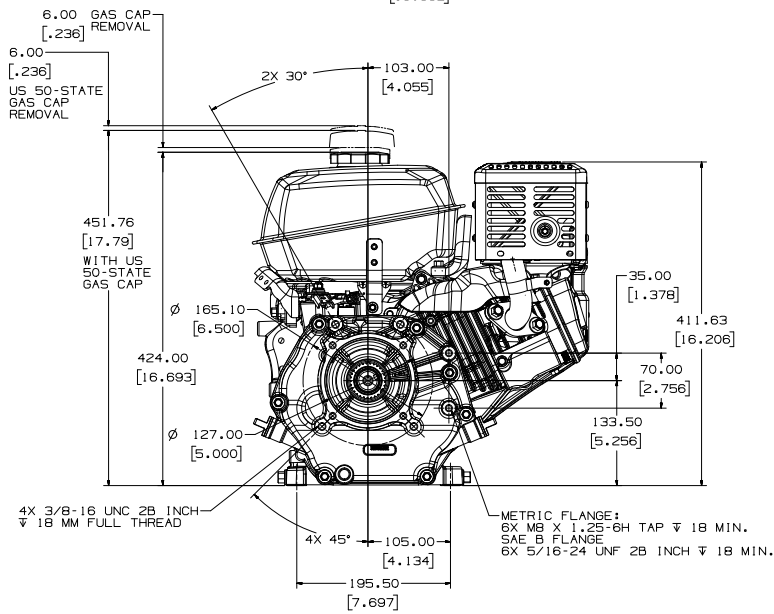


9.5-hp engines (CH395)

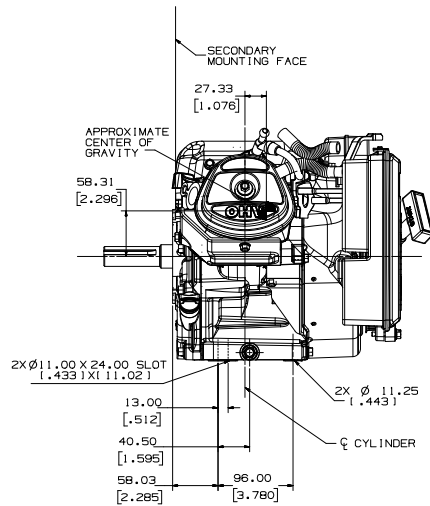
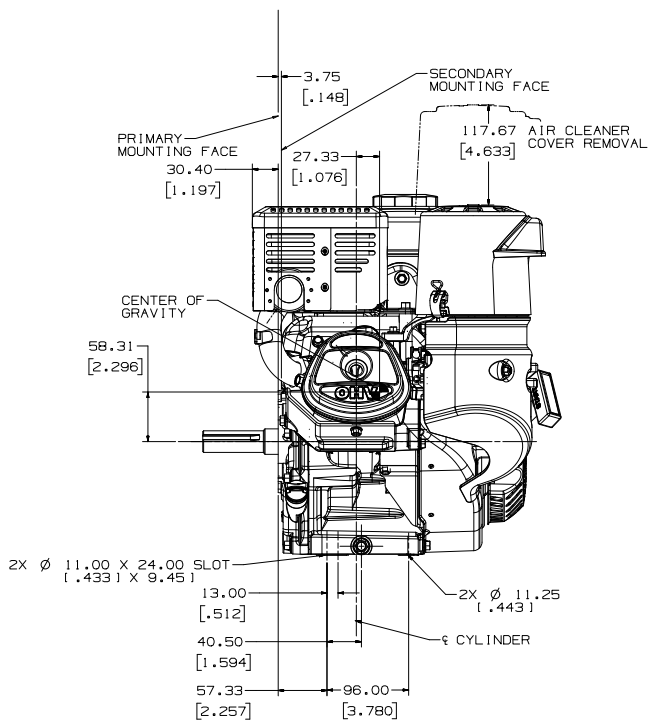
TOP VIEW



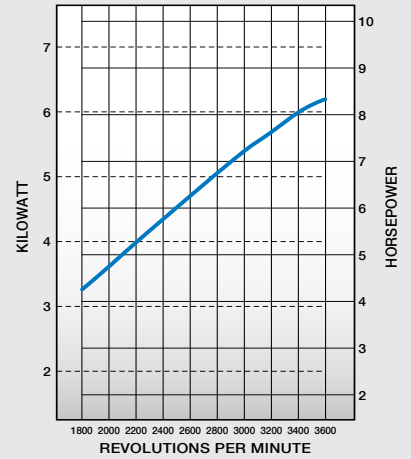
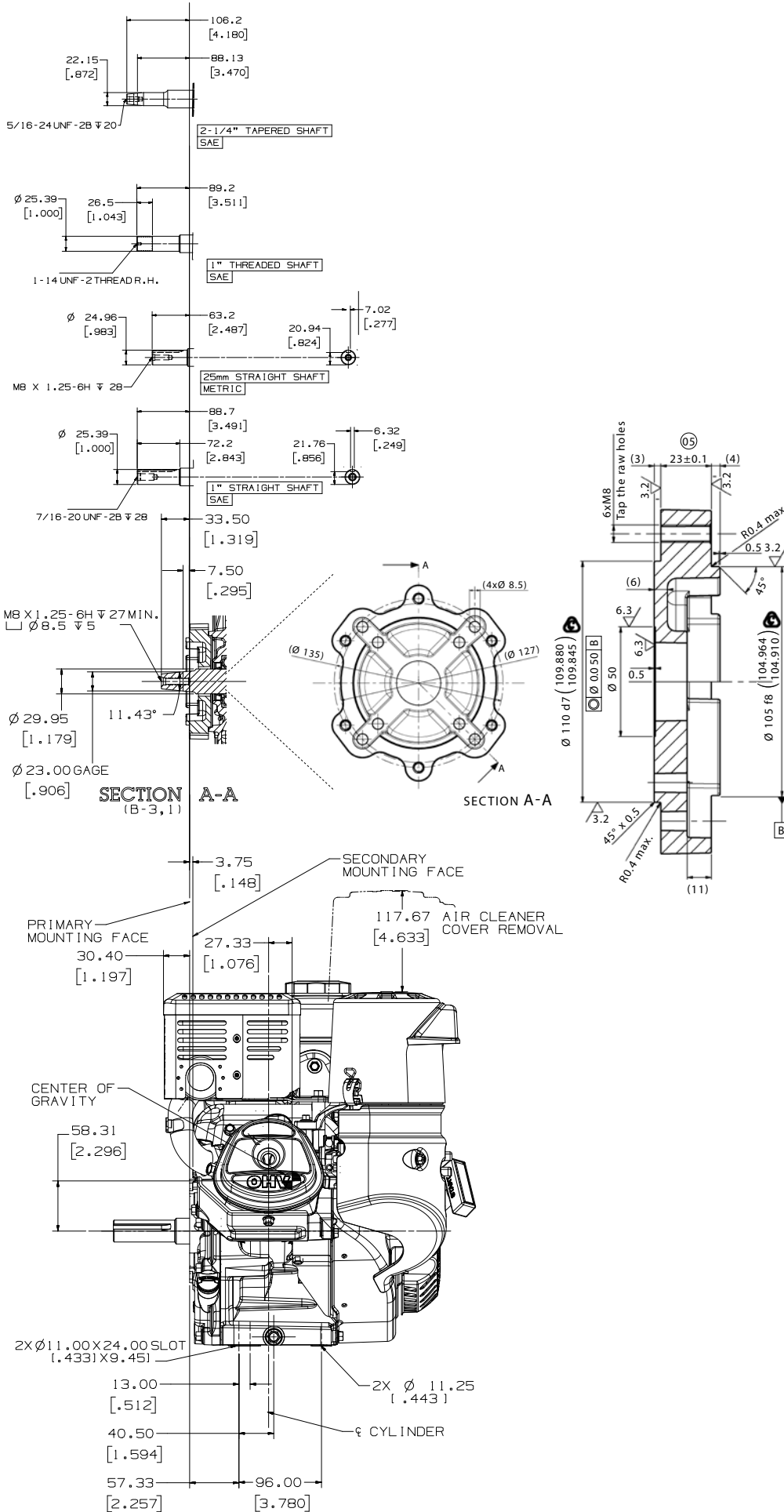
PTO VIEW



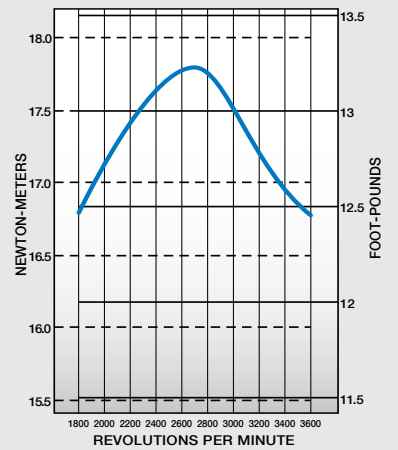
VALVE COVER VIEW



9.5-hp engines (CH395)

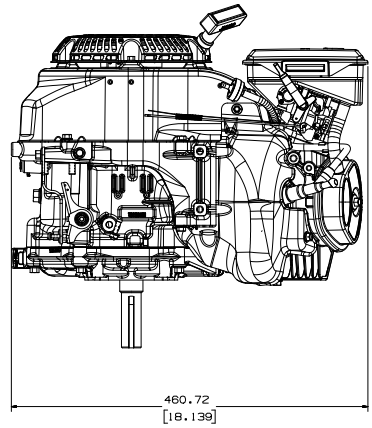
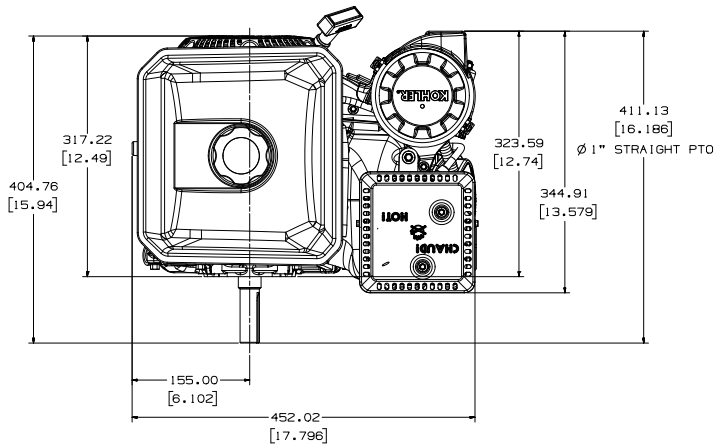


SHAFT VARIATIONS

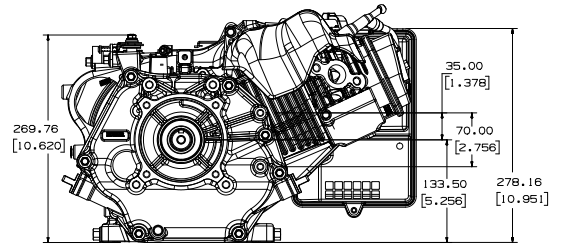
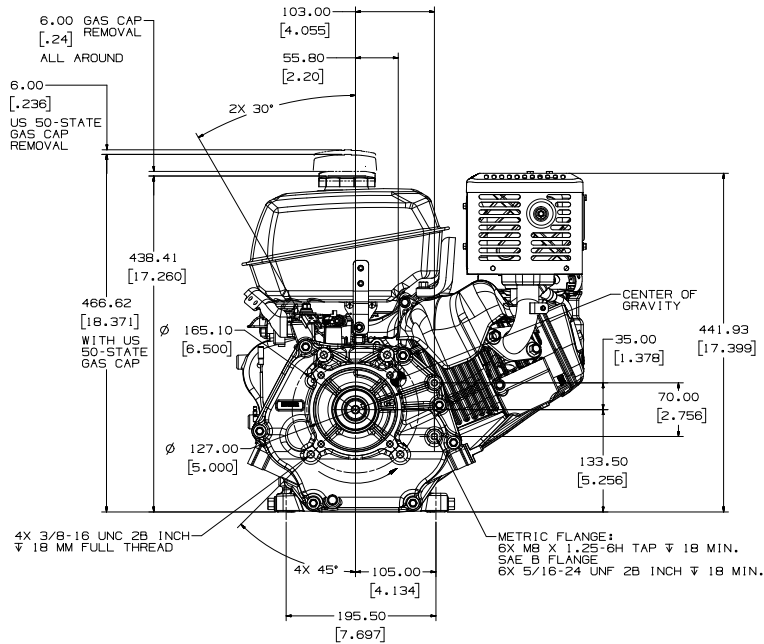


14-hp engines (CH440)

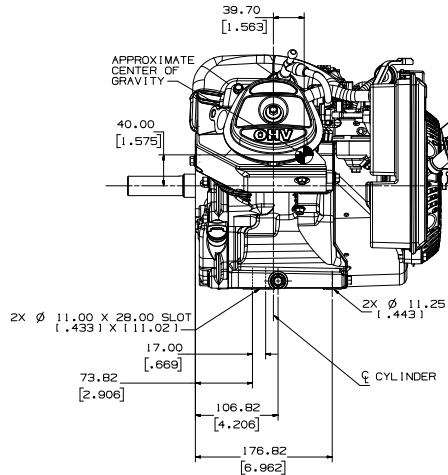
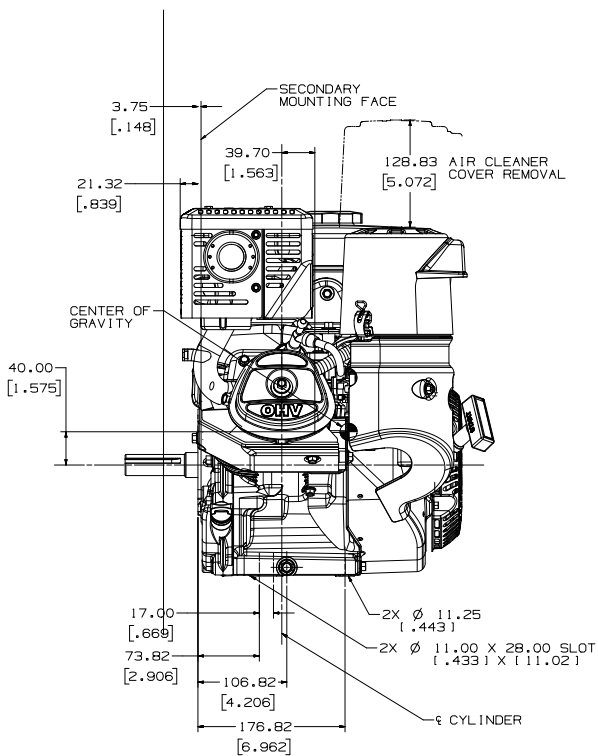
TOP VIEW



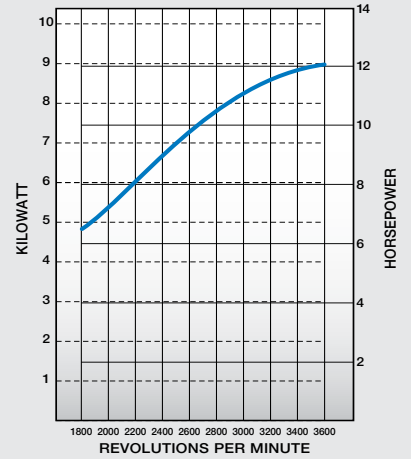
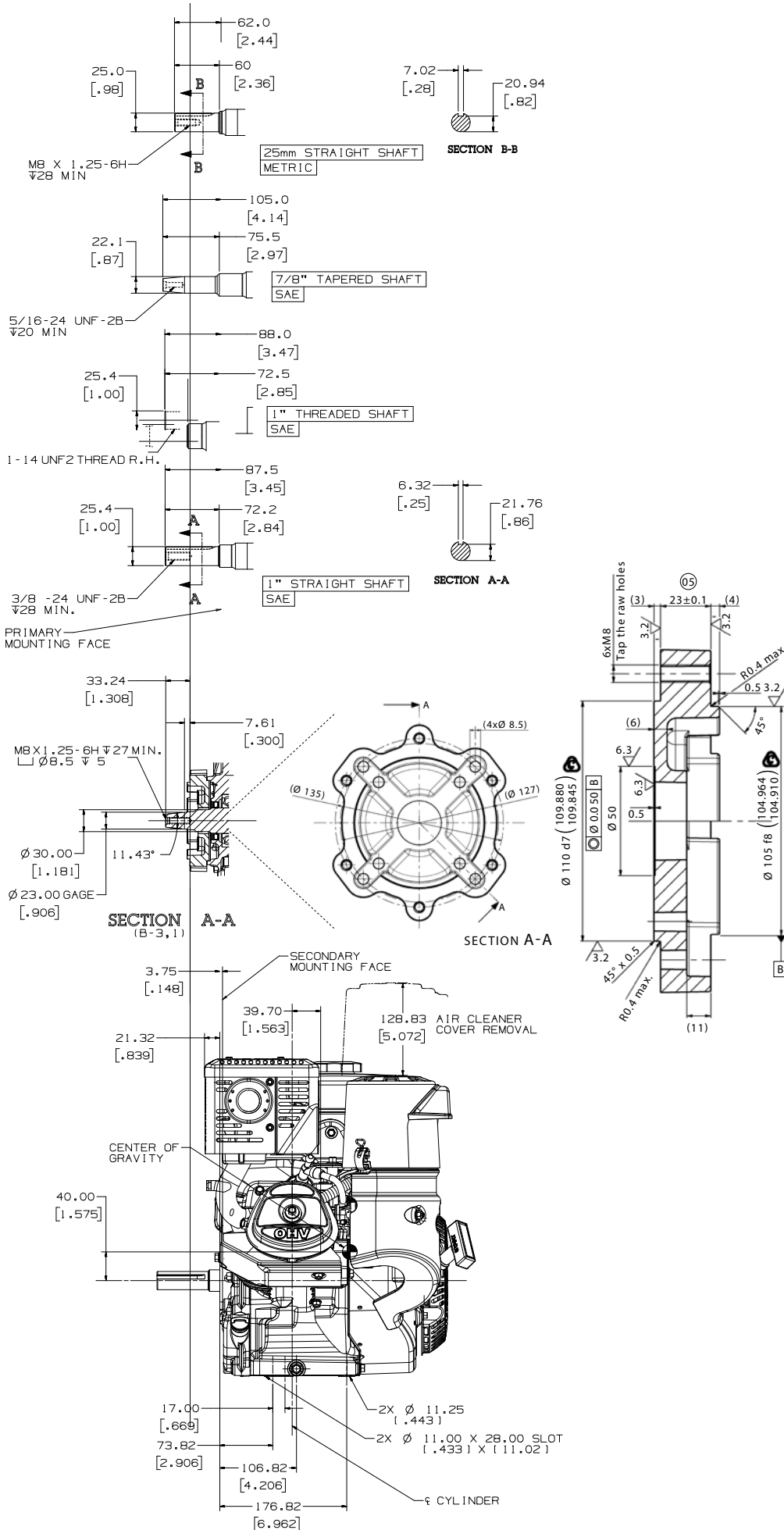
PTO VIEW



VALVE COVER VIEW

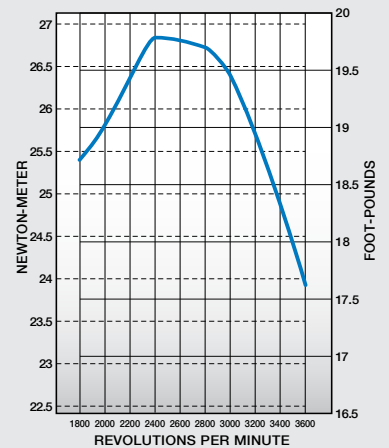
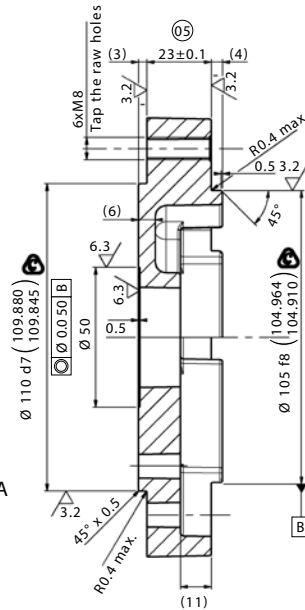


14-hp engines (CH440)



Net Power

SHAFT VARIATIONS



Net Torque

COMMAND PRO 7-14 HP



Model		CH270	CH395	CH440
Engine specs	Four-cycle	•	•	•
	Single-cylinder	•	•	•
	Overhead valve	•	•	•
	Air-cooled	•	•	•
	Gasoline	•	•	•
	Horizontal-shaft	•	•	•
	Aluminum head	•	•	•
	Crankcase with cast-iron cylinder liner	•	•	•
	Lubrication	Splash	Splash	Splash
Technical features	Displacement cu in (cc)	12.7 (208)	16.9 (277)	24.7 (429)
	Bore in (mm)	2.8 (70)	3.1 (78)	3.5 (89)
	Stroke in (mm)	2.1 (54)	2.3 (58)	2.7 (69)
	Compression Ratio	8.5:1	8.5:1	8:1
Performance	*Gross Power @ 3000 rpm Maximum hp (kW)	6.0 (4.5)	7.9 (5.9)	12.9 (9.6)
	*Gross Power @ 4000 rpm Maximum hp (kW)	7.0 (5.3)	9.5 (7.1)	14.0 (10.5) @ 3600 rpm
	Peak Torque @ rpm ft lbs (Nm)	10.5 (14.2) @ 3000 rpm	13.9 (18.8) @ 2800 rpm	22.7 (30.8) @ 2800 rpm
Physical characteristics	Dry Weight (Recoil Start) lbs (kg)	38.7 (17.5)	61.5 (27.9)	72.8 (33.0)
	Oil Capacity U.S. qt (L)	0.6 (0.6)	1.4 (1.3)	1.4 (1.3)
	Fuel Capacity U.S. qt (L)	4.2 (4.0)	7.4 (7.0)	7.4 (7.0)
	**Dimensions L x W x H in (mm)	12.7 x 15.2 x 14.2 (323 x 385 x 361)	15.9 x 16.8 x 16.2 (403 x 428 x 424)	16.2 x 17.8 x 17.4 (411 x 452 x 442)
	Crankshaft Height in (mm)	4.2 (106.0)	5.3 (133.5)	5.3 (133.5)
	Fuel Capacity U.S. qt (L)	4.2 (4.0)	7.4 (7.0)	7.4 (7.0)

* Horsepower ratings exceed Society of Automotive Engineers Small Engine Test Code J1940. Actual engine horsepower is lower and affected by, but not limited to, accessories (air cleaner, exhaust, charging, cooling, fuel pump, etc.), application, engine speed and ambient operating conditions (temperature, humidity and altitude). For more information, contact Lombardini s.r.l.

Kohler reserves the right to change product specifications, designs and equipment without notice and without incurring obligation.

** Measurements based off a base engine without electric start.

KOHLER®

Lombardini s.r.l. is a part of Kohler Group.
Lombardini has manufacturing facilities in Italy, Slovakia and India and sales subsidiaries in France, Germany, UK, Spain and Singapore.
Kohler/Lombardini reserves the right to make modifications without prior notice.
www.lombardini.it

EUROPE

Lombardini Srl
Via Cav. del lavoro
A. Lombardini n° 2
42124 Reggio Emilia, ITALY
T. +39-(0)522-389-1
F. +39-(0)522-389-503

DEUTSCHLAND

Lombardini Motoren GmbH
Silostr. 41,
65929 FRANKFURT
Hessen, DEUTSCHLAND
T. +49-(0)69-9508160
F. +49-(0)69-5073410

UK

Lombardini U.K. Ltd
1, Rochester Barn - Eynsham Road
OX2 9NH
Oxford, UK
T. +44-(0)1865-863858
F. +44-(0)1865-861754

ESPAÑA

Lombardini ESPAÑA, S.L.
P.I. Cova Solera 1-9
08191 - Rubí (Barcelona)
ESPAÑA
T. +34-(0)9358-62111
F. +34-(0)9369-71613

FRANCE

Lombardini France S.a.s.
47 Allée de Riottier,
69400 Limas, FRANCE
T. +33-(0)474-626500
F. +33-(0)474-623945

ROAPAC

Lombardini Singapore
26 Keong Saik Road (3rd floor)
Asia Pacific Represent. Offices
089154- Singapore
T. +65-(0)622-50556
F. +65-(0)622-50551