

KOHLER® AEGIS®

EFI 27–30 HP Engines



KOHLER®
IN POWER. SINCE 1920.

LESS WEAR AND TEAR ON YOUR MACHINE. AND YOUR WALLET.

Your utility vehicle or heavy-duty construction equipment has some big jobs ahead. You need an engine that can stand up to the task. Again and again. That's why we built the Aegis® EFI 27–30 hp engine. Its liquid-cooled design means less wear and tear, fewer repairs and more power in a smaller frame. It's the engine that can stand up to anything you throw at it.



BUILT TO LAST

- Liquid-cooled to provide better engine durability

MORE RELIABLE

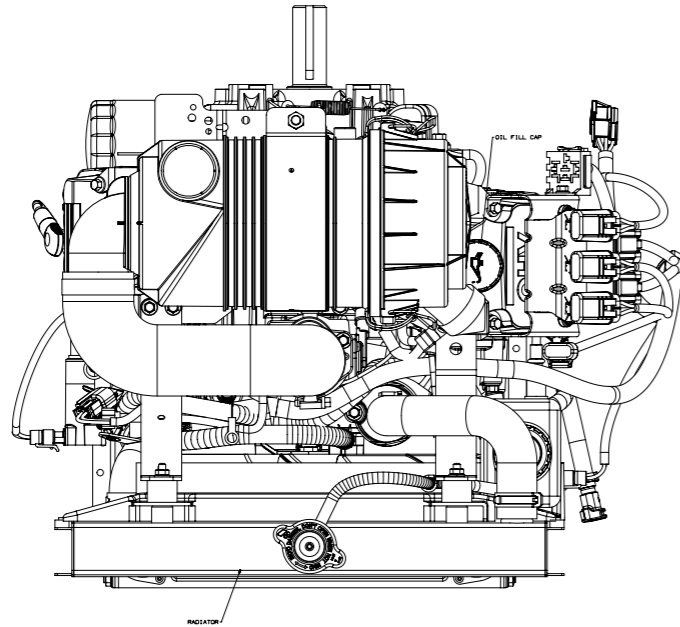
- No carburetor—no carburetor problems
- Electronic fuel injection automatically optimizes for fuel quality

EASY MAINTENANCE

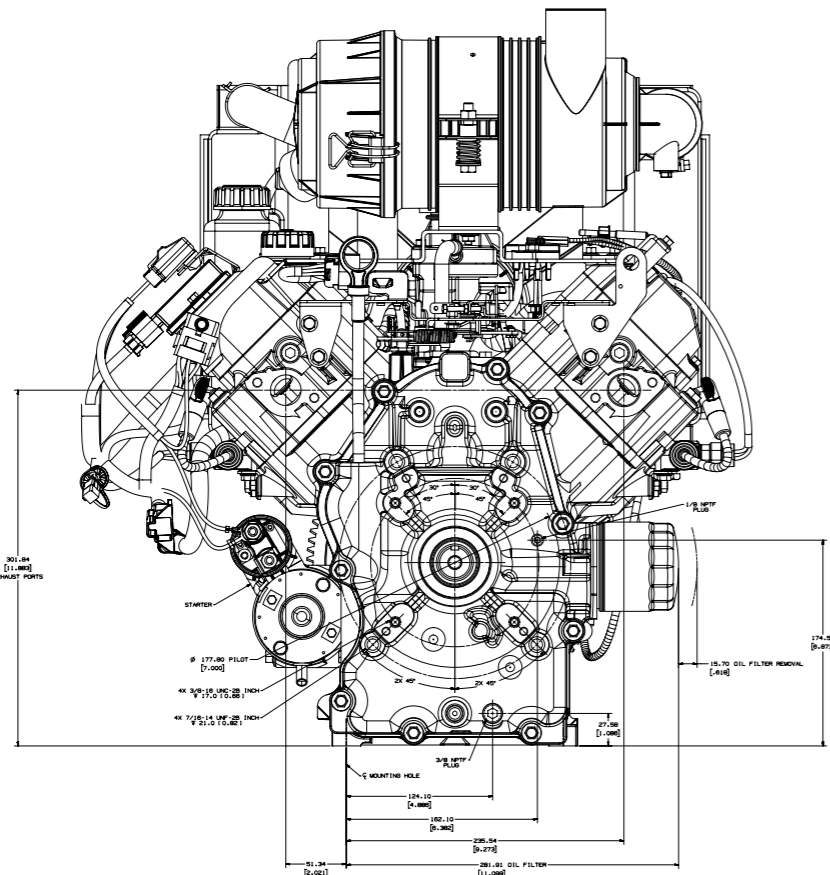
- Proprietary EFI diagnostic software provides quick and easy troubleshooting to minimize downtime

KOHLER AEGIS®

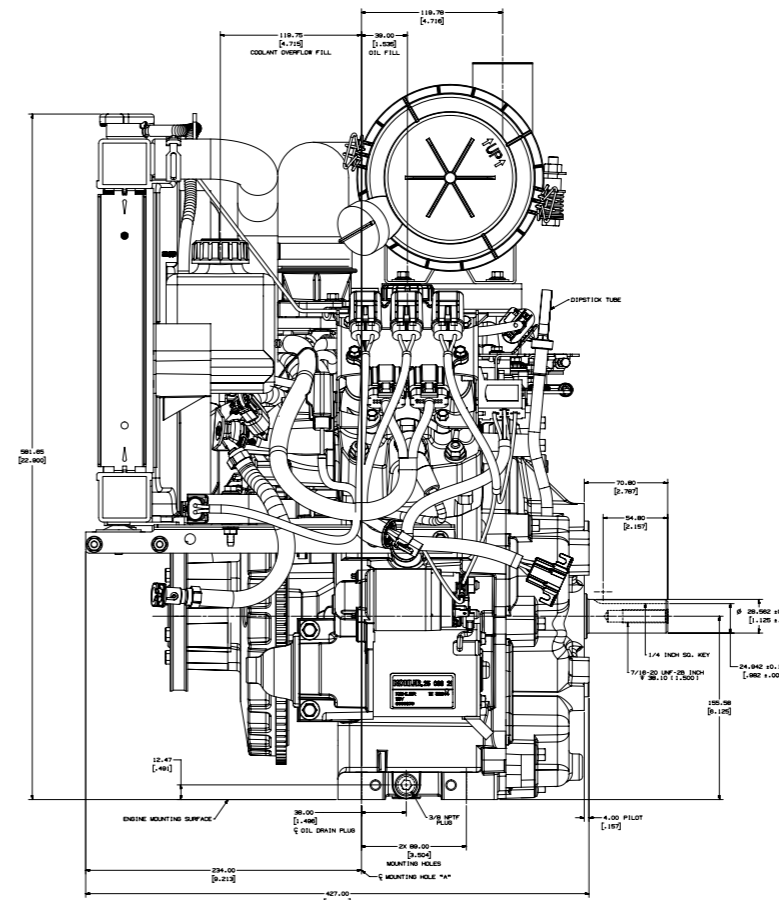
EFI 27–30 HP Engines



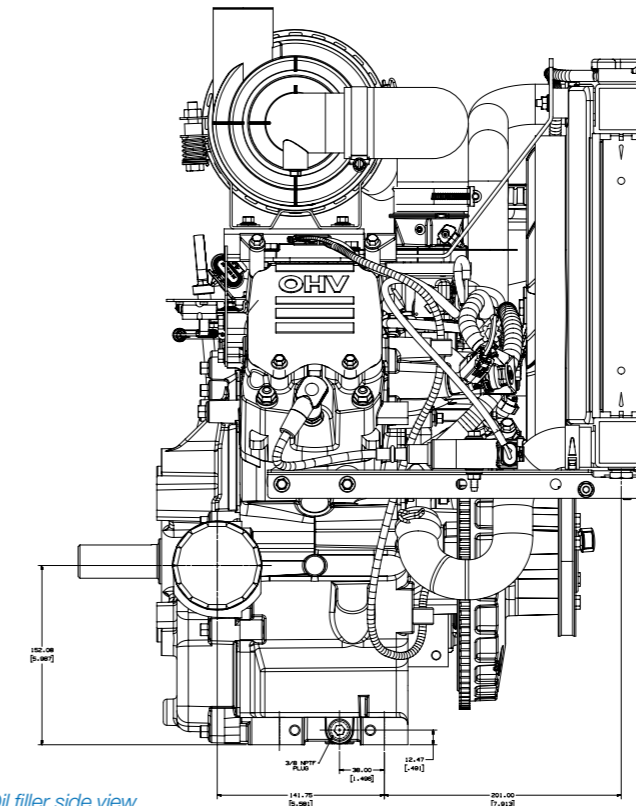
Top view



PTO view

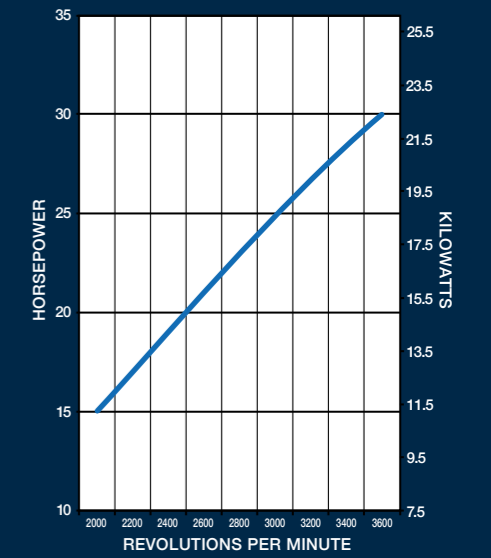


Starter side view

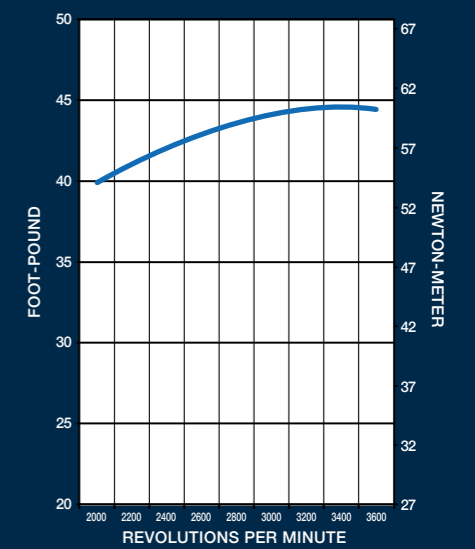


Oil filler side view

MAXIMUM POWER



MAXIMUM TORQUE



FEATURES AND OPTIONS



ELH775

STANDARD FEATURES

- Liquid-cooled with high-efficiency radiator
- Overhead valve design
- Cast-iron cylinder liners
- Dedicated engine ground
- Debris screen
- Engine-mounted high-pressure fuel pump
- Closed-loop electronic fuel injection
- 25-amp charging, regulated
- Yellow oil cap and dipstick
- Large filters (air, oil, fuel)
- Hardened crank journals
- PTO side-load sleeve bearing
- Hydraulic valve lifters
- 12-volt solenoid shift electric start
- Dual-element air cleaner
- Dual oil drains
- Electronic ignition
- Solenoid fuel shutdown
- Oil Sentry™ automatic low-oil shutdown system (installed, not wired)
- Full-pressure lubrication/full-flow filter
- 3-year commercial limited warranty

POPULAR FACTORY OPTIONS

- Remote oil filter
- Variety of mufflers
- Exhaust deflector/spark arrestor
- Engine-mounted controls (CH)
- 5% governor
- SAE A/B pump mounts
- Choice of air cleaners (flat, HD, WAWB)
- Guard for rotating grass screen
- Chopper-type grass screen
- Additional crank sizes
- Flywheel PTOs
- Oil cooler
- 60-amp charging, regulated and fused
- Minimum of 20 amps at 1000 RPM

| ENGINE TYPE | | Four-cycle, single-cylinder, overhead valve, cast-iron cylinder liners, liquid-cooled, gasoline, horizontal shaft, hydraulic valve lifters | |
|------------------------|--------------|--|--------------------|
| MODEL | | ELH750 | ELH775 |
| GROSS POWER @ 3600 RPM | Max. hp (kW) | 27 (20.1) | 30 (22.4) |
| DISPLACEMENT | cu in (cc) | 46 (747) | |
| BORE | in (mm) | 3.3 (83) | |
| STROKE | in (mm) | 2.7 (69.0) | |
| PEAK TORQUE @ RPM | ft-lb (Nm) | 42.9 (58.2) @ 2400 | 44.6 (60.5) @ 3400 |
| COMPRESSION RATIO | | 8.7:1 | |
| DRY WEIGHT | lb (kg) | 116 (53) | |
| OIL CAPACITY | U.S. qt (L) | 2.0 (1.9) | |
| LUBRICATION | | Full-pressure lubrication with full-flow filter | |
| DIMENSIONS* L x W x H | in (mm) | 17 x 18.1 x 26.5 (432 x 460 x 675) | |

*Length is radiator to closure plate. Width is radiator from side to side. Height is mounting feet to rain cap.

For more information, contact your KOHLER source of supply.
Kohler Co. reserves the right to make modifications without prior notice.

KOHLER[®]
IN POWER. SINCE 1920.

KOHLERPOWER.IT
Printed in Italy ED0035585610 Rev.00 03/18 EN KOHLER CO.